

10 TON PACKAGE UNIT w/ 54 KW HEAT



Trane® Portable Packaged Air Conditioner units contain the best compressor technology available, in order to achieve the highest performance possible. Trane®-built scroll compressors are designed specifically to ensure system quality.

These units have high efficiency condenser coils with increased capacity and energy efficiency. This assists with optimizing the required amount of power to operate.

U-shaped airflow allows for improved static capabilities.

The 10 ton package unit is mounted on a skid frame. These units can be stacked for transportation or can be placed on the ground or delivered on a temporary trailer.



Call us today! (800)341-4297



GENERAL

◆ Trane® Package Unit Model	TSC120F3E
◆ CFM (Cubic Feet Per Minute)	4,000
◆ Air Supply	(1) 20" Plenums
◆ Air Return	(1) 20" Plenums
◆ Skid Mounted	
◆ Optional Trailer Mounted	

DIMENSIONS

◆ Length	96 "
◆ Width	60"
◆ Height	59"
◆ Shipping Weight	1,058 LBS

10 TON PACKAGE FEATURES

- ◆ R-410A refrigerant
- ◆ Factory installed and commissioned ReliaTel™ controls
- ◆ Phase Monitor
- ◆ Trane 3-D™ Scroll compressors
- ◆ Two-inch standard efficiency filters
- ◆ Sloped condensate drain pan

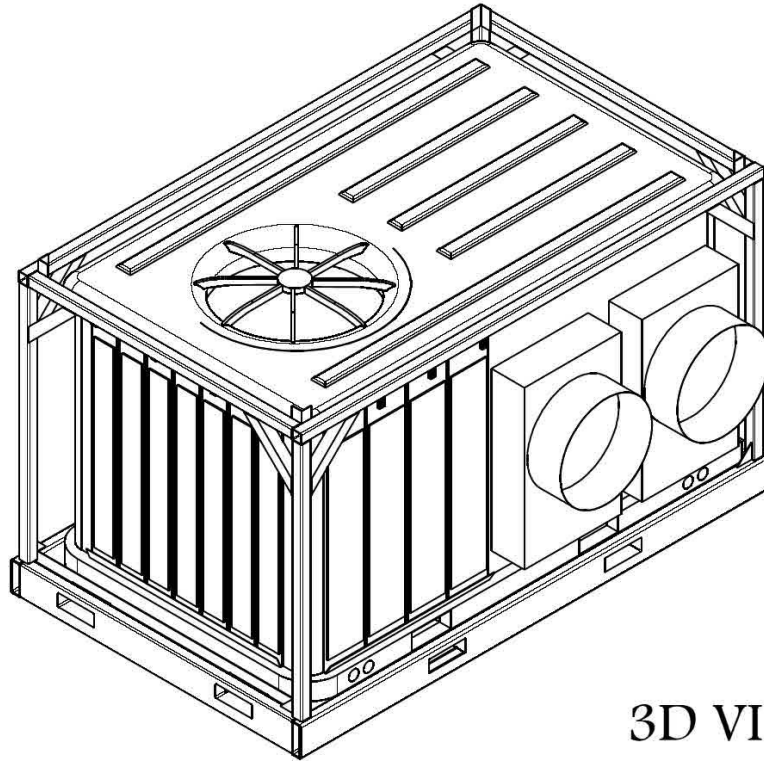
ELECTRICAL DATA

◆ Power Supply	208-230V/3Ph/60Hz
◆ Connections	Series 16 Cam Type
◆ Minimum Circuit Ampacity	151.4 Amps
◆ Min/Max Operational Volts	187V—253V
◆ Breaker	175 Amps
◆ Cooling Amps	60 Amps
◆ Heat Amps	122 Amps

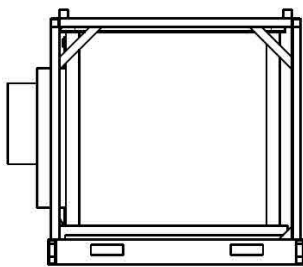
ADDITIONAL INFORMATION

- ◆ 54Kw Heat Kit

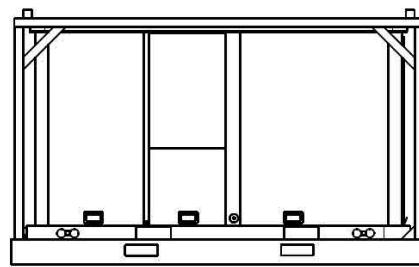
10 TON PACKAGE UNIT W/ 54 KW HEAT



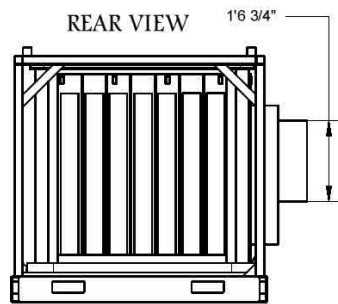
3D VIEW



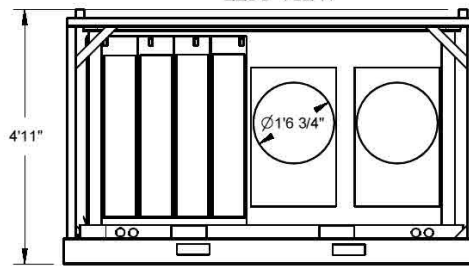
REAR VIEW



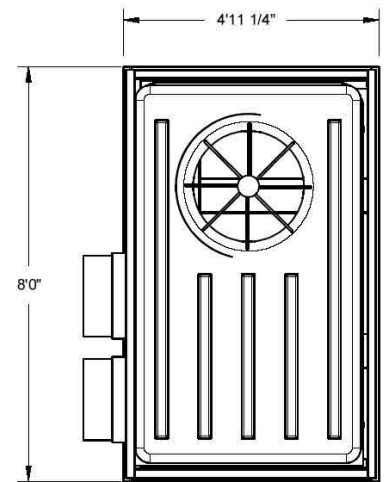
LEFT VIEW



FRONT VIEW



RIGHT VIEW



TOP VIEW