

130 TON CHILLER

Portable Air is proud to offer trailer-mounted, air-cooled chiller packages to meet any temporary climate control project needs. Our entire fleet is comprised of only the most reliable, well performing units from top manufacturers such as Trane, Carrier and York.

All units can be rented as individual units or as a complete “turn-key” package including complete delivery, installation, startup and required accessories. Contact one of our rental representatives today to learn more about Portable Air and the largest HVAC rental fleet of its kind.

Picture coming soon

130 TON CHILLER FEATURES

- ◆ CKTA = 1
- ◆ CKTB = 1
- ◆ Disconnect Switch
- ◆ Mechanical Flow Switch
- ◆ Camlock Electrical Tie-Ins
- ◆ Camlock Plumbing Connections
- ◆ Heavy Duty Trailer for Portability

Call us today! (800)341-4297

Picture coming soon

GENERAL

| | |
|-----------------------------------|-------------|
| ◆ York® Chiller Model | YCAS0130 |
| ◆ Ambient Operating Range | 0° - 115° F |
| ◆ Leaving Chilled Liquid Setpoint | 40° - 59° F |
| ◆ Refrigerant Circuits | 2 |

| DIMENSIONS | Unit Only | With Trailer |
|-------------------|---------------|--------------|
| ◆ Length | 226.125" | 379.125" |
| ◆ Width | 88" | 98.368" |
| ◆ Height | 96" | 150.164" |
| ◆ Shipping Weight | 10,000 Pounds | |

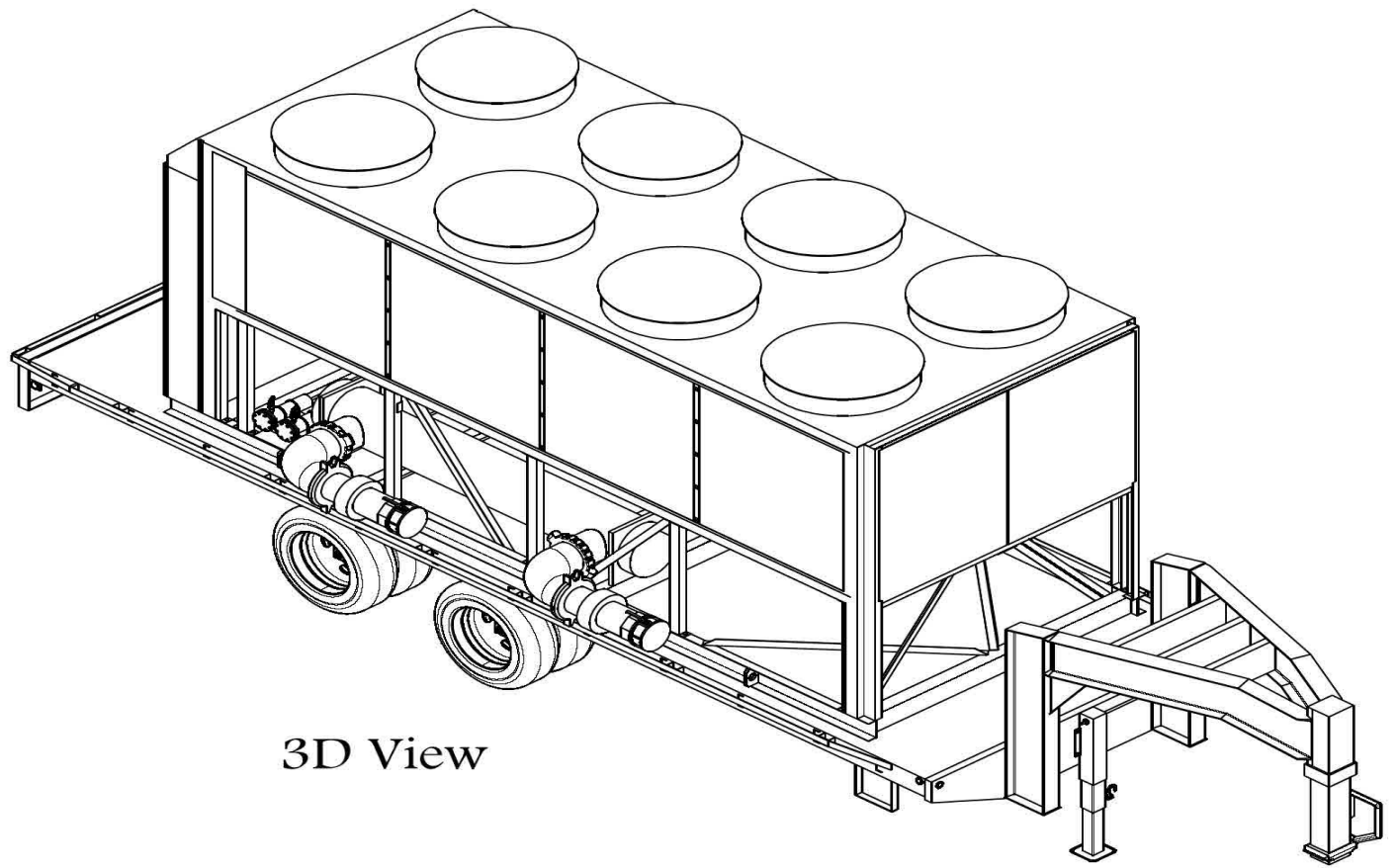
ELECTRICAL DATA

| | |
|-------------------------------|---------------|
| ◆ Power Requirements | 460V/3ph/60Hz |
| ◆ Connections | 4/0 Camlock |
| ◆ Minimum Circuit Ampacity | 300 Amps |
| ◆ Max Over Current Protection | 400 Amps |
| ◆ Voltage Range | 414V—506V |

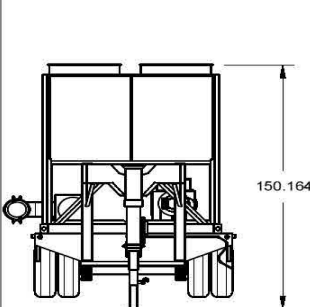
COOLER FLOW

| | |
|-------------------------------|------------|
| ◆ Minimum | 147 GPM |
| ◆ Design | 312 GPM |
| ◆ Maximum | 600 GPM |
| ◆ Fluid Connection | 6" Camlock |
| ◆ Maximum Water Side Pressure | 150 PSI |

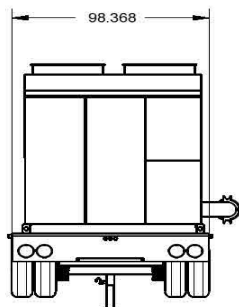
130 TON CHILLER YORK



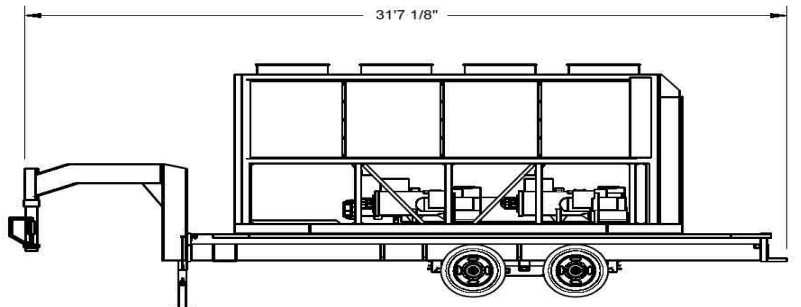
3D View



Front View



Back View



Side View

| | | |
|---|---|-------------------------|
| <p>PORTABLE AIR Temperature Control & Power www.portableac.com 1-800-341-4297</p> | <p>OutSide The Box Enterprises, LLC Drafting Division</p> | |
| | <p>Model #: 6130-018</p> | <p>SERIAL #:</p> |
| <p>Unit Title: York International Cooler</p> | <p>Unit #:</p> | |
| <p>Drawn By: Jose A Trinidad</p> | <p>File Name: 6130-018 & Trailer.ADP</p> | <p>Date: 06/21/2012</p> |