

# 150 TON CHILLER

Portable Air is proud to offer trailer-mounted, air-cooled chiller packages to meet any temporary climate control project needs. Our entire fleet is comprised of only the most reliable, well performing units from top manufacturers such as Trane, Carrier and York.

All units can be rented as individual units or as a complete “turn-key” package including complete delivery, installation, startup and required accessories. Contact one of our rental representatives today to learn more about Portable Air and the largest HVAC rental fleet of its kind.



**Call us today! (800)341-4297**



## GENERAL

◆ Carrier® Chiller Model	30GT-150
◆ Ambient Operating Range	40°F - 120°F
◆ Leaving Chilled Liquid Setpoint	40°F
◆ Refrigerant Circuits	2

## DIMENSIONS

	Unit Only	With Trailer
◆ Length	234"	379.125"
◆ Width	95"	101.875"
◆ Height	96"	138.25"
◆ Shipping Weight	10,481 Pounds	

## ELECTRICAL DATA

◆ Power Supply	480V, 3 PH, 60HZ
◆ Connections	Camlock 4/0
◆ Minimum Circuit Ampacity	332 Amps
◆ Max Over Current Protection	400 Amps
◆ Voltage Range	Min 414V- Max 506V

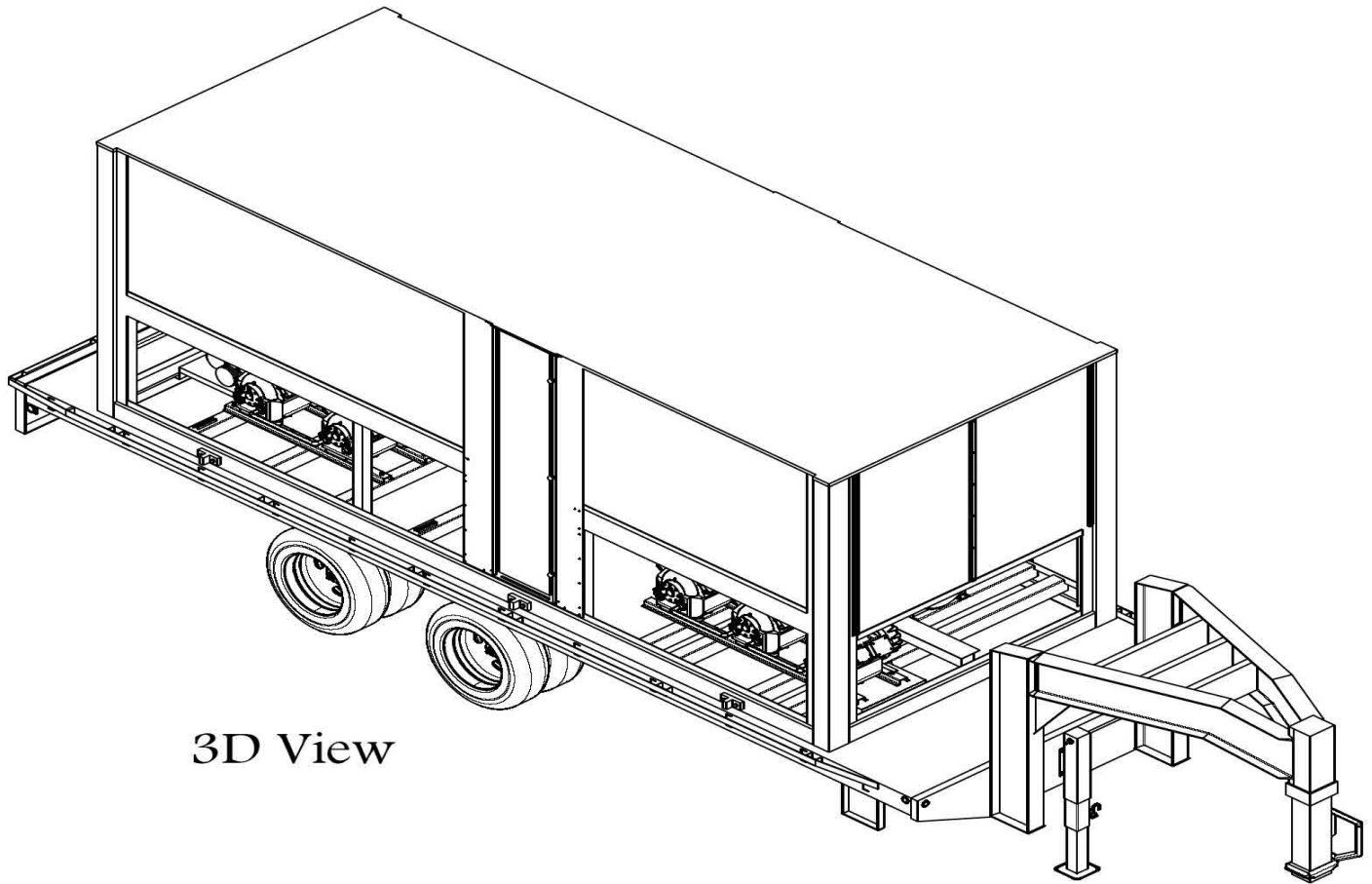
## COOLER FLOW

◆ Minimum	101 GPM
◆ Design	348 GPM
◆ Maximum	725 GPM
◆ Fluid Connections	6" Camlock
◆ Maximum Water Side Pressure	150 PSIG

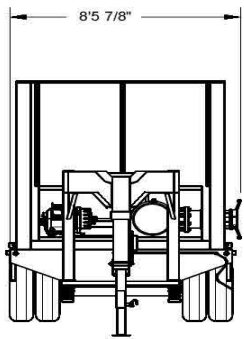
## 150 TON CHILLER FEATURES

- ◆ CKTA = 3
- ◆ CKTB = 2
- ◆ Disconnect Switch
- ◆ Mechanical Flow Switch
- ◆ Camlock Electrical Tie-Ins
- ◆ Camlock Plumbing Connections
- ◆ Heavy Duty Trailer for Portability

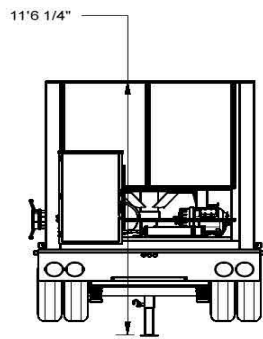
# 150 TON CHILLER



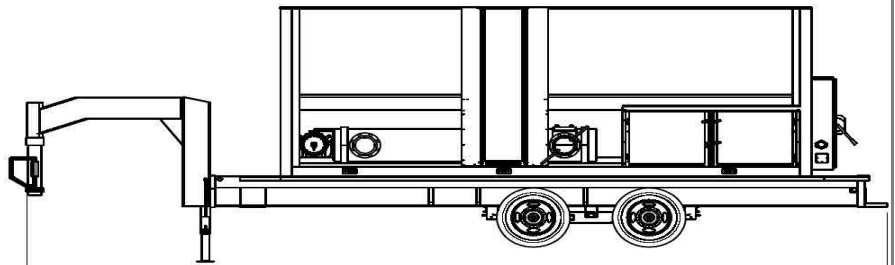
3D View



Front View



Back View



Side View

<p><b>PORTABLE AIR</b> Temperature Control &amp; Power www.portableac.com 1-800-341-4297</p>	<p>OutSide The Box Enterprises, LLC Drafting Division</p>	
	<p>Model #:</p>	
<p>SERIAL #:</p>		<p>Unit Title: United Technologies</p>
<p>Drawn By: <i>Jose A Trinidad</i></p>		<p>Unit #: 6150 - 0001</p>
<p>File Name: 6150-0001.ADP</p>		<p>Date: 09/13/2012</p>