

70 KVA GENERATOR

Towable generators are engineered to handle the most rugged requirements for temporary jobsite power, with technology that responds immediately under variable loads.

Plus, the sound reduction makes them quiet enough to provide power for that all-important special event. Mobile, dependable and easy to operate, towable generators from Portable Air are the right choice for all of your light-duty and medium-duty temporary power needs.



Call us today! (800)341-4297



GENERAL

◆ Make/Model	Multiquip DCA-70SSJU
◆ Engine Make/Model	John Deere 4045TF150
◆ Prime Output	Star 70 KVA (56 KW) Zig Zag 40 KW
◆ Coolant Capacity	6.9 Gallons
◆ Oil Capacity	3.4 Gallons
◆ Oil Filter #	7243
◆ Cylinders	4
◆ Total Dry Weight	3,984 Pounds
◆ Total Weight with Fuel	4,641 Pounds

FUEL SYSTEM

◆ Fuel Consumption at Full Load	4.7 GPH
◆ Fuel Capacity with Trailer	92 Gallons
◆ Fuel Filter #	3531, 3270

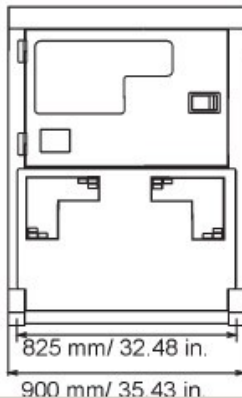
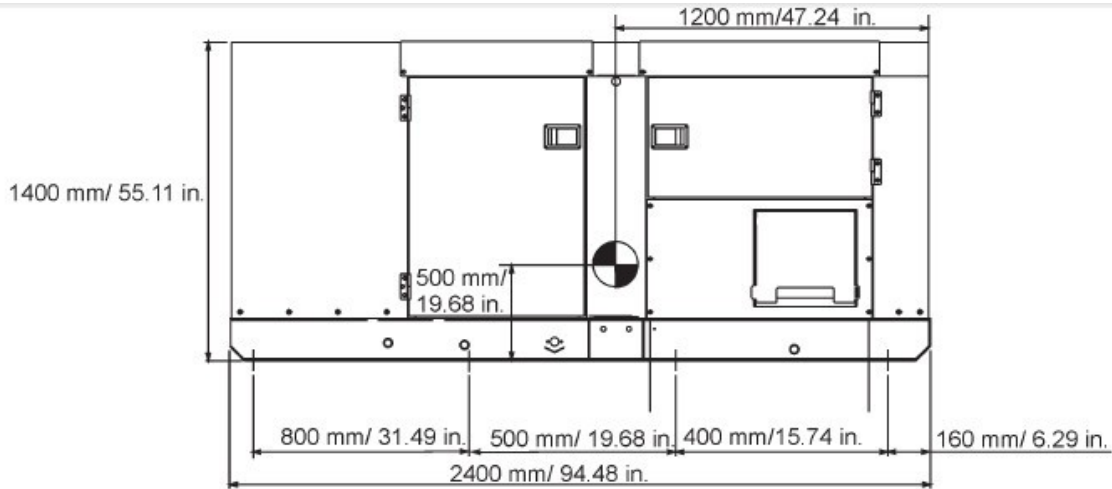
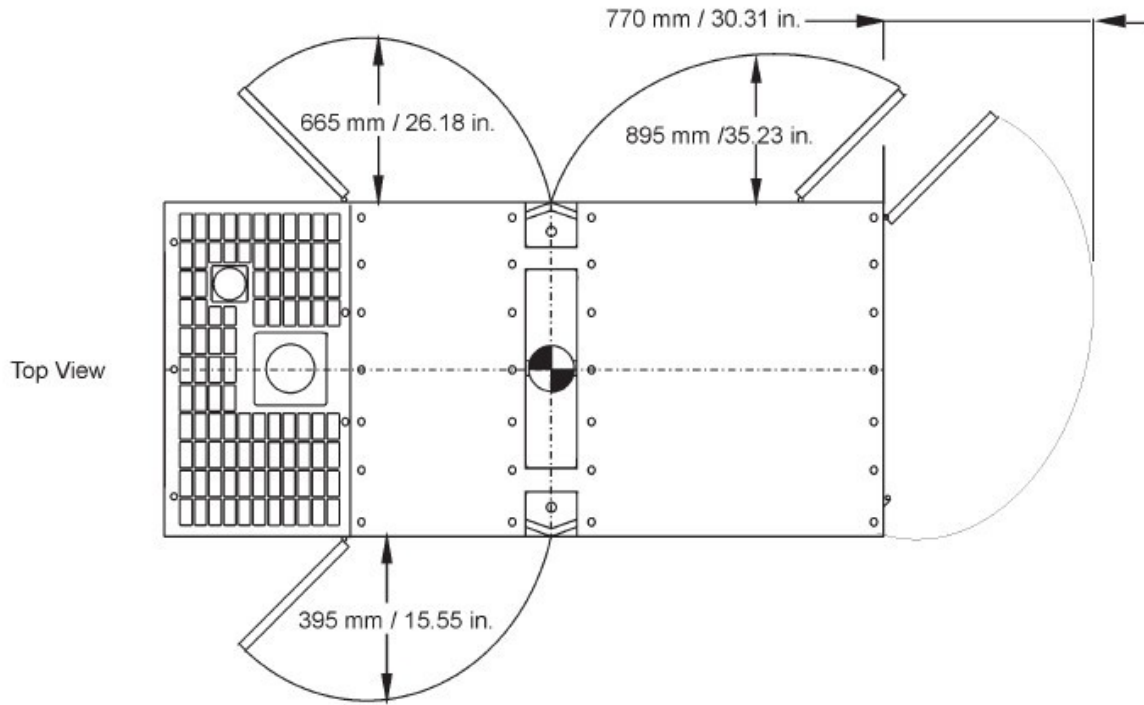
VOLTAGE

- ◆ 3 Phase, Star 240V or 480V
- ◆ Single Phase, Zig Zag 240V/120V

TRAILER SPECIFICATIONS

◆ Model	TRLR-70XF
◆ Fuel Cell	52 Gallons
◆ Brake System	Electric
◆ GVWR	6,000 Pounds
◆ Frame Length/Width	145.88"/68"
◆ Hitch Type	3" Pintle Eye

70 KVA GENERATOR



Center of Gravity

70 KVA GENERATOR

