

90 TON CHILLER

Portable Air is proud to offer trailer-mounted, air-cooled chiller packages to meet any temporary climate control project needs. Our entire fleet is comprised of only the most reliable, well performing units from top manufacturers such as Trane, Carrier and York.

All units can be rented as individual units or as a complete “turn-key” package including complete delivery, installation, startup and required accessories. Contact one of our rental representatives today to learn more about Portable Air and the largest HVAC rental fleet of its kind.



Call us today! (800)341-4297



GENERAL

◆ Trane® Chiller Model	RTAA090
◆ Ambient Operating Range	40° - 120° F
◆ Leaving Chilled Liquid Setpoint	40° - 65° F
◆ Refrigerant Circuits	2

DIMENSIONS

	Unit Only	With Trailer
◆ Length	203.75"	307.75"
◆ Width	88.1875"	111"
◆ Height	87.5"	142.25"
◆ Shipping Weight	6,741 Pounds	

ELECTRICAL DATA

◆ Power Requirements	460V/3ph/60Hz
◆ Connections	Single Point (4) 4/0 Camlock
◆ Minimum Circuit Ampacity	190 Amps
◆ Max Over Current Protection	250 Amps
◆ Voltage Range	414V—506V

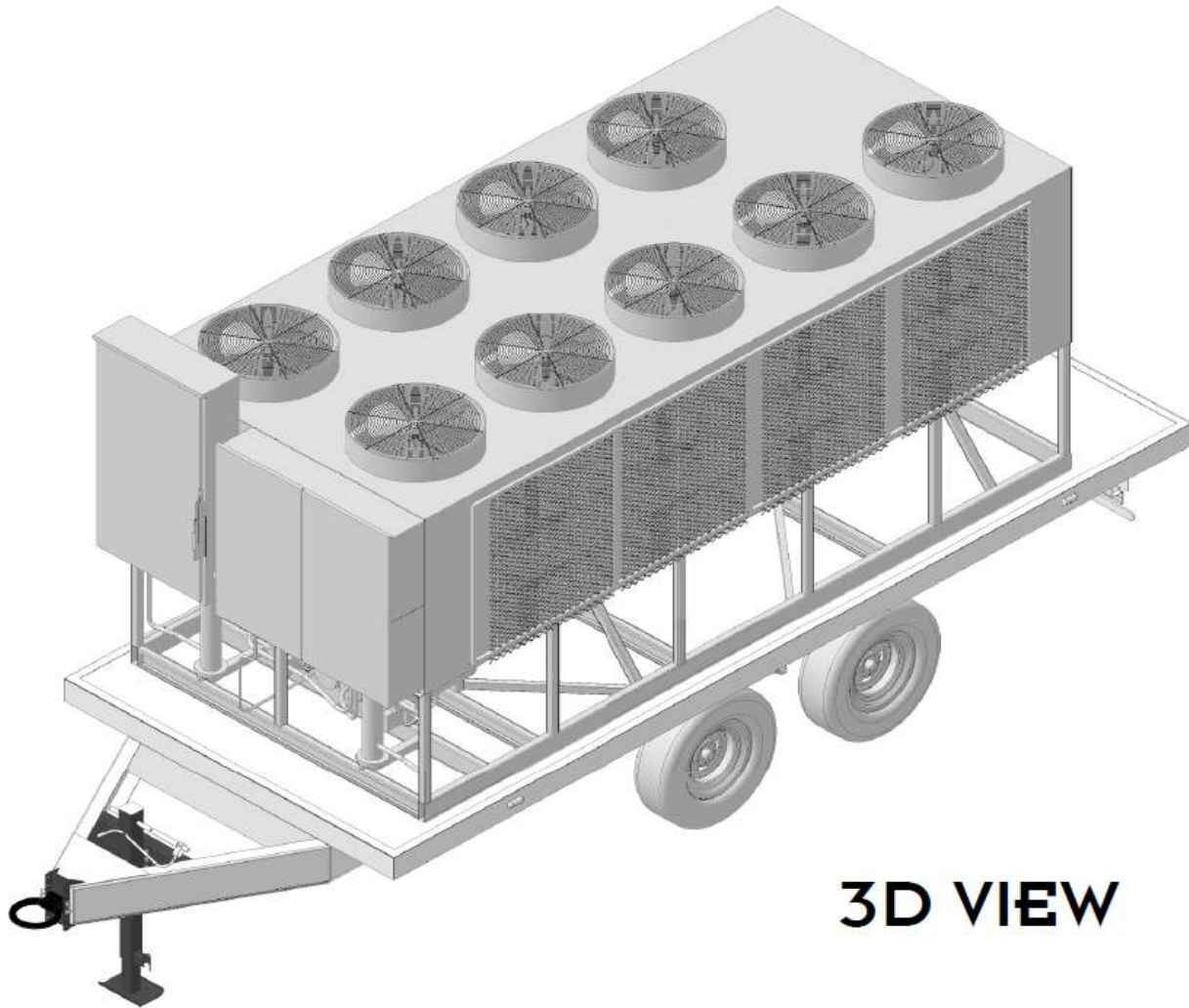
COOLER FLOW

◆ Minimum	108 GPM
◆ Design	216 GPM
◆ Maximum	324 GPM
◆ Fluid Connection	4" Camlock
◆ Maximum Water Side Pressure	150 PSI

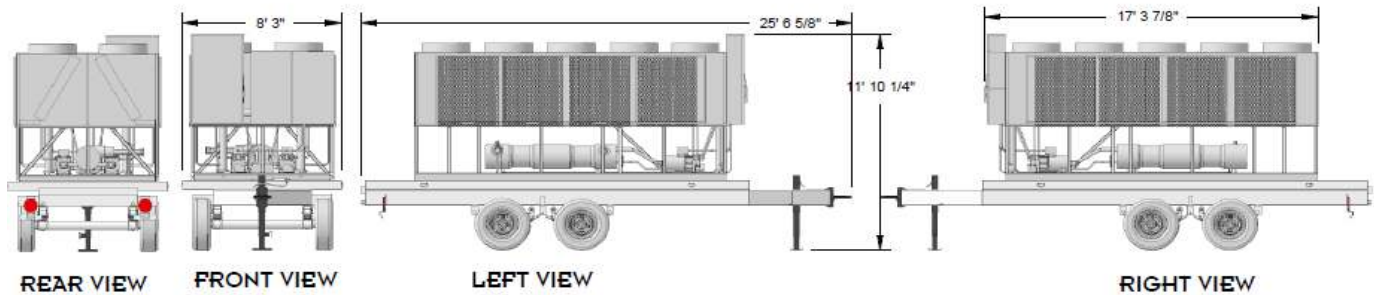
90 TON CHILLER FEATURES

- ◆ (2) Two semi-hermetic screw design compressors. System 1 has one compressor and System 2 has one compressor.
- ◆ Disconnect Switch
- ◆ Mechanical Flow Switch
- ◆ Camlock Electrical Tie-Ins
- ◆ Camlock Plumbing Connections
- ◆ Heavy Duty Trailer for Portability

90 TON CHILLER



3D VIEW



<p>PORTABLEAIR Temperature Control & Power www.portableac.com 1-800-341-4297</p>	<p>Outside The Box Enterprises, LLC Drafting Division</p>	
	<p>Model #: 6090-0002 90 TON UNIT</p>	<p>SERIAL #:</p>
<p>Unit Title: 90 TON UNIT</p>	<p>Unit #:</p>	
<p>Drawn By: <i>Jose A Trinidad</i></p>	<p>File Name:</p>	<p>Date: 04/30/2013</p>